

## Whist® Under-mount Basin

2741

**Product Description:** Whist opaque glass under-mount basin for under-mount installation, no tap hole

**Required Items:** 7107B-CP Decorative grid waste, petal design  
7108B-CP Decorative grid waste, abstract design

**Product Dimensions:** W430 x D350 mm internal  
W483 x D410 mm external

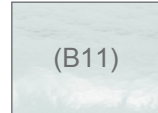
**Material:** Glass

**Product Weight (kg):** 9

**Fixings Included:** Yes

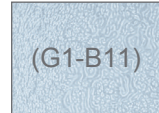
**Guarantee (Years):** 5

**Additional Information:** Rinse thoroughly and use a soft cloth to wipe the product dry after use. Soft abrasive cleaners and warm water may be used when necessary to clean your decorative products. Strong abrasive cleaners will scratch and dull the surface.

**Colours:**

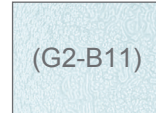
(B11)

Ice



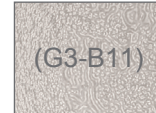
(G1-B11)

Dusk



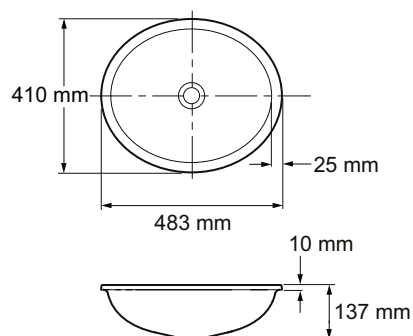
(G2-B11)

Dew



(G3-B11)

Doe

**Dimensions (mm)****Kohler UK**

Sales and Technical:

+44 (0) 844 571 0048 (Calls cost 7p per minute plus your phone company's access charge)

info@kohler.co.uk

www.KOHLER.co.uk

THE BOLD LOOK  
OF **KOHLER**®